

Manual Supplement

Manual Title: 725 Users
Print Date: October 1998
Revision/Date: 1, 1/00

Supplement Issue: **6**
Issue Date: 10/02
Page Count: 5

This supplement contains information necessary to ensure the accuracy of the above manual.

Change #1

On page 12, Table 4, add the following Key Functions:

① ⑬	Ⓢ Ⓡ	Disables Shut Down Mode
① ⑬	Ⓢ Ⓡ	Enables Shut Down Mode

On page 14, add the following:

Shut Down Mode

The calibrator comes with the Shut Down Mode enabled for a time duration set to 30 minutes (displayed for about 1 second when the calibrator is initially turned on). When the Shut Down Mode is enabled, the calibrator will automatically shut down after the time duration has elapsed from the time the last key was pressed. To disable the Shut Down Mode, press Ⓢ and Ⓡ simultaneously. To enable the mode, press Ⓢ and Ⓡ simultaneously. To adjust the time duration, press Ⓢ and Ⓡ simultaneously, then press Ⓢ and/or Ⓡ to adjust the time between 1 and 30 minutes.

Change #2

On page 3, under **Standard Equipment**, add the following:

- Spare Fuse

On page 48, replace Figure 22 and add the following text:

Replacing the Fuses

The calibrator comes equipped with two 0.05A 250V socketed fuses to protect the calibrator.

⚠Warning

To avoid electrical shock, remove the tests leads from the calibrator before opening the battery door. Close and latch the battery door before using the calibrator.

The fuses can be removed and checked for resistance. A value of $< 10 \Omega$ is good. Problems while measuring using the right jacks indicate that F3 may have opened. If you can't measure or source current with the left jacks, F4 may have opened. To replace the fuses, refer to Figure 22 and perform the following steps:

1. Turn the calibrator off, remove the test leads from the terminals, and hold the calibrator face down.
2. Using a flat-blade screwdriver, turn the battery door screws 1/4-turn counterclockwise and remove the battery door.
3. Remove and replace the damaged fuse.
4. Replace the battery door and secure it by turning the screws 1/4-turn clockwise.

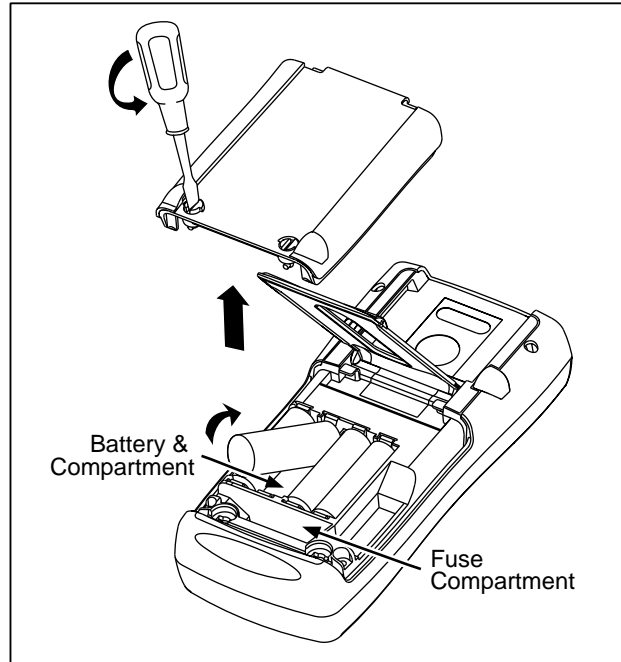


Figure 22.

sh38_1.eps

On page 50, add the following to Table 9:

23	Fuse 0.05A/250V (5 Pack)	1593766	1
----	--------------------------	---------	---

On page 51, Figure 23, add the view of the fuses as shown in Figure A.

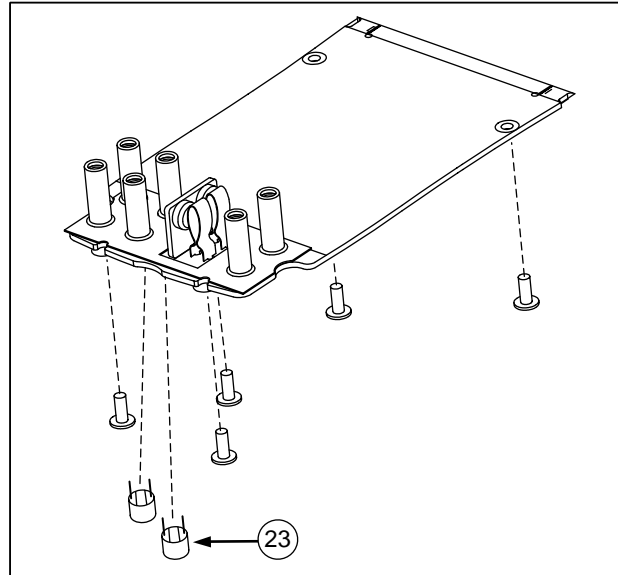



Figure A.

figure_a.eps

Change #3

On page 37, under Storing and Recalling Setups, replace step 3 with the following:

3. Press . Only the stored memory location will be displayed. The setup is stored.

Change #4

On page 31, under Simulating RTDs, add step 4 as follows:

4. If the 725 display indicates ExI HI the excitation current from your device under test exceeds the limits of the 725.

Change #5

On page 55, under *Specifications*, replace the first sentence with the following:

Specifications are based on a one year calibrator cycle and apply from +18 °C to +28 °C unless stated otherwise.